



CHANGEMate CM-800

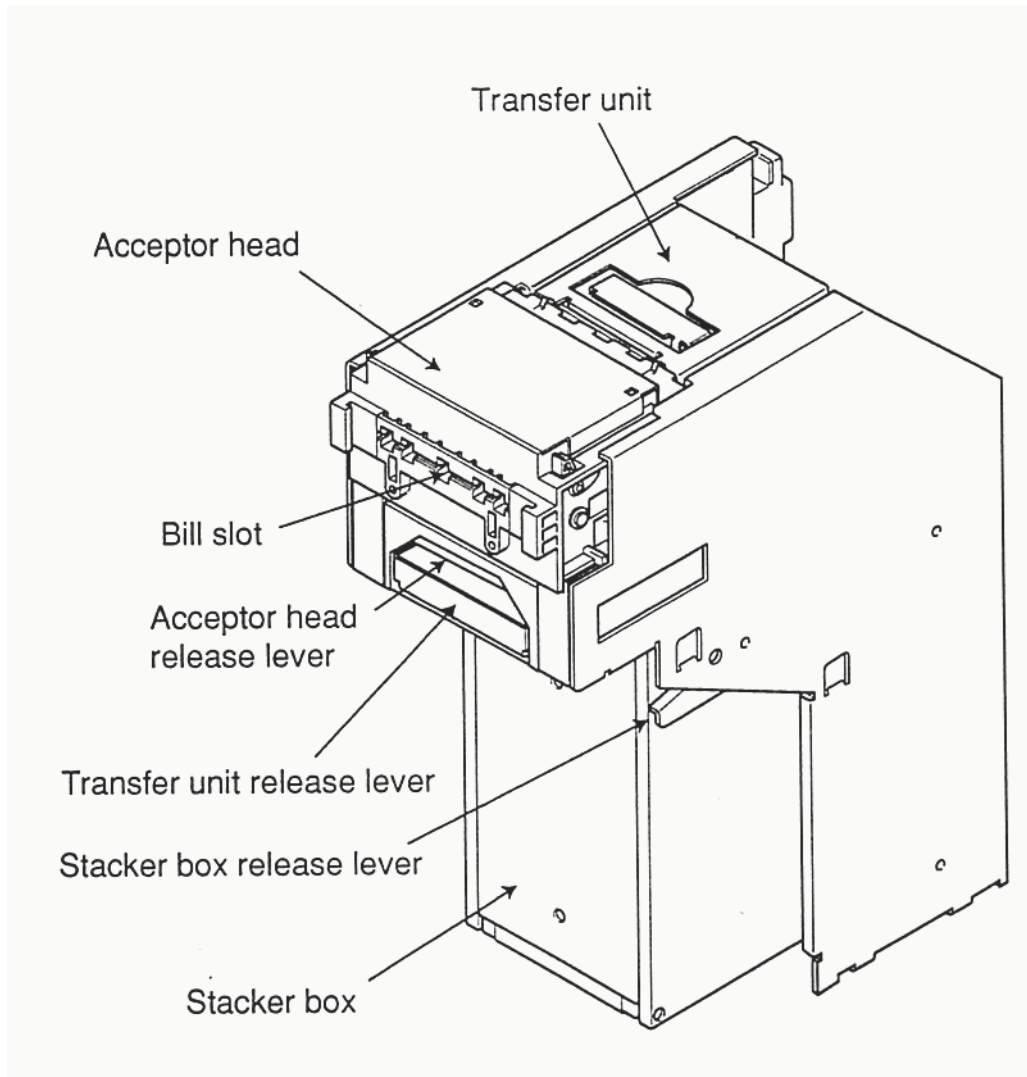
This unit is designed to pay out automatically. When the correct amount of funds have been inserted, the Changemate will dispense the appropriate number of coins. Partial credits will be held until further funds are inserted to enable payout.

- To reset the machine to zero, start with machine powered down. Press and hold down buttons 1 and 3 whilst powering the machine up. Release buttons 1 and 3 and (as instructed on the LCD), press button 2. All meters and event log will now be reset to zero.
- To enter the attendant mode, press button 3. To select an option in attendant mode, use buttons 1 and 2 to bring up the option. Use button 3 to select the option. To exit the attendant mode, use buttons 1 and 2 to select exit and then press button 3. The other option is simply to leave the machine. After 30 seconds without any button press, the machine will automatically exit the attendant mode and return to dispense mode.
- To read the accountancy information, enter attendant mode and select accountancy. When prompted, choose short term or long term meters by pressing button 1 or 2 and then button 3. Use buttons 1 and 2 to navigate through the list of meters. Press button 3 to exit.
- To count the hopper contents, enter the attendant mode and select hopper count. Use button 2 to start and stop the hopper No 1. Use button 1 to start and stop hopper No 2. The quantity of coins counted from the hopper will be displayed on the LCD. To exit this mode, press button 3 after the hopper has stopped.
- To access the event log, enter the attendant mode and select event log. The last event to occur will be displayed on the LCD. To navigate back and forth through all 10 stored events, used buttons 1 and 2. Press button 3 to exit.
- To clear the short term meters, enter the attendant mode and select clear s/term meters. When prompted, press button 3 to reset the short term meters back to zero.
- Should the machine run empty in the course of operation, simply open the top door, add coins and turn the machine off and on again. The machine will resume the payout where it left off when the hopper emptied.

JCM-WBA Validator

Instruction Manual

Component names



Precautions

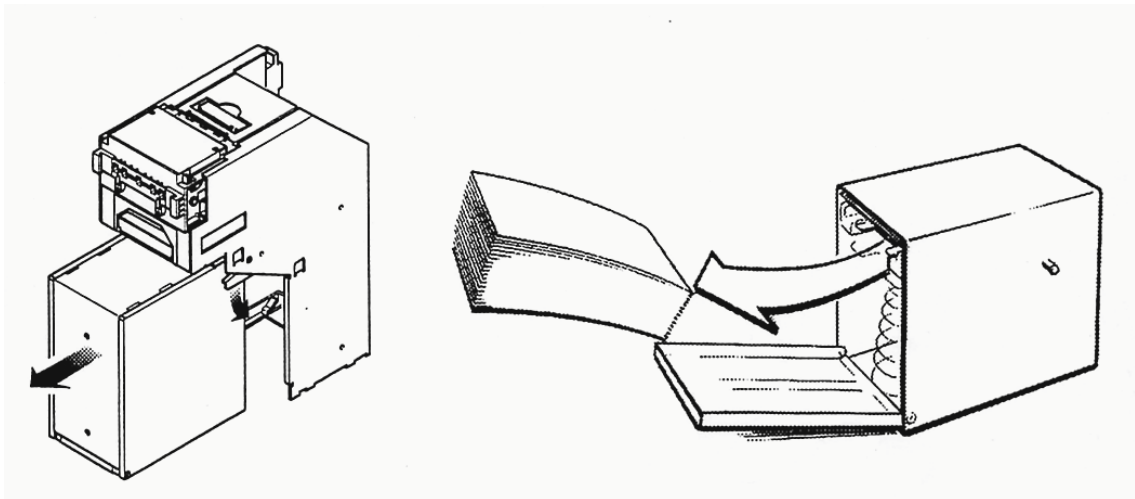


Torn, wrinkled or wet bills may jam the acceptor.

The acceptor uses sophisticated electronic parts. Be careful that the acceptor does not get wet.

Keep the acceptor away from dust. Dust may deteriorate the accuracy of the bill acceptor

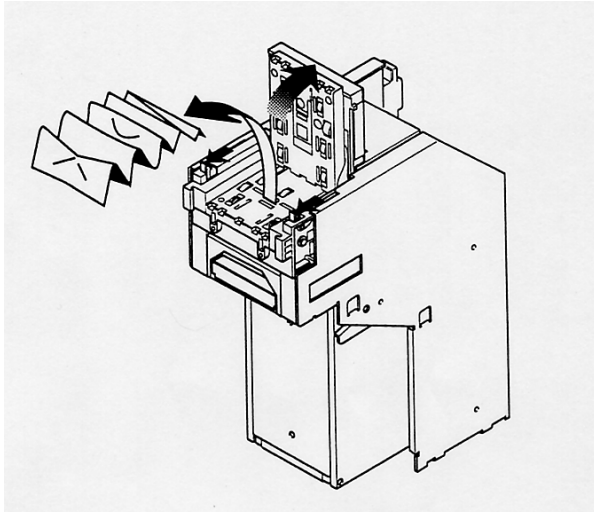
Collecting Bills



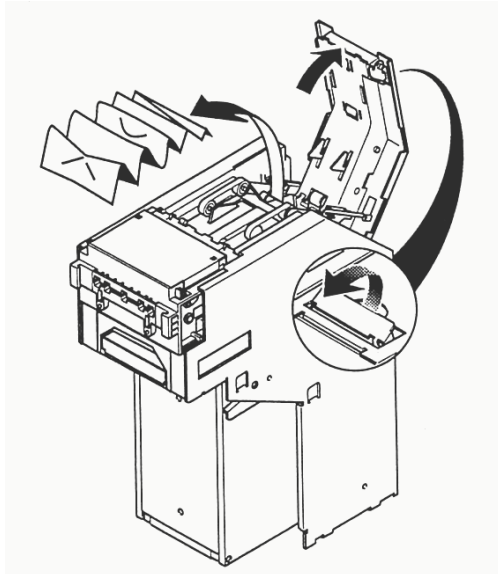
Lift the release lever and pull the stacker toward you.

Open the stacker box's cover and Remove the bank bills inside.

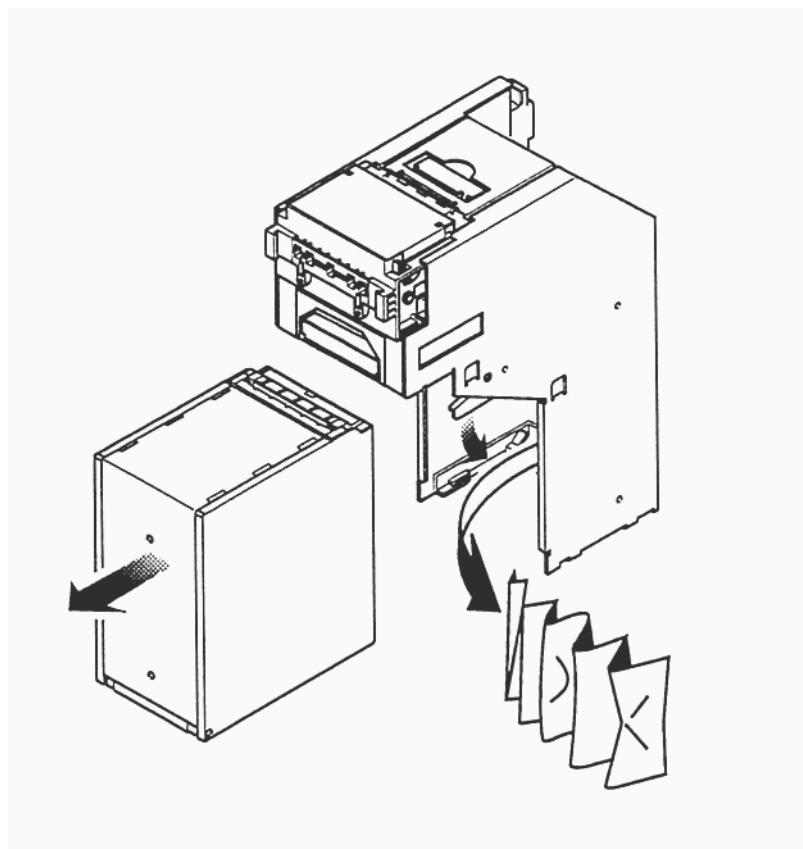
When a Bill is Jammed in the Acceptor



Pull the notches on both sides of the acceptor towards you to open the acceptor head. Remove the jammed bill.



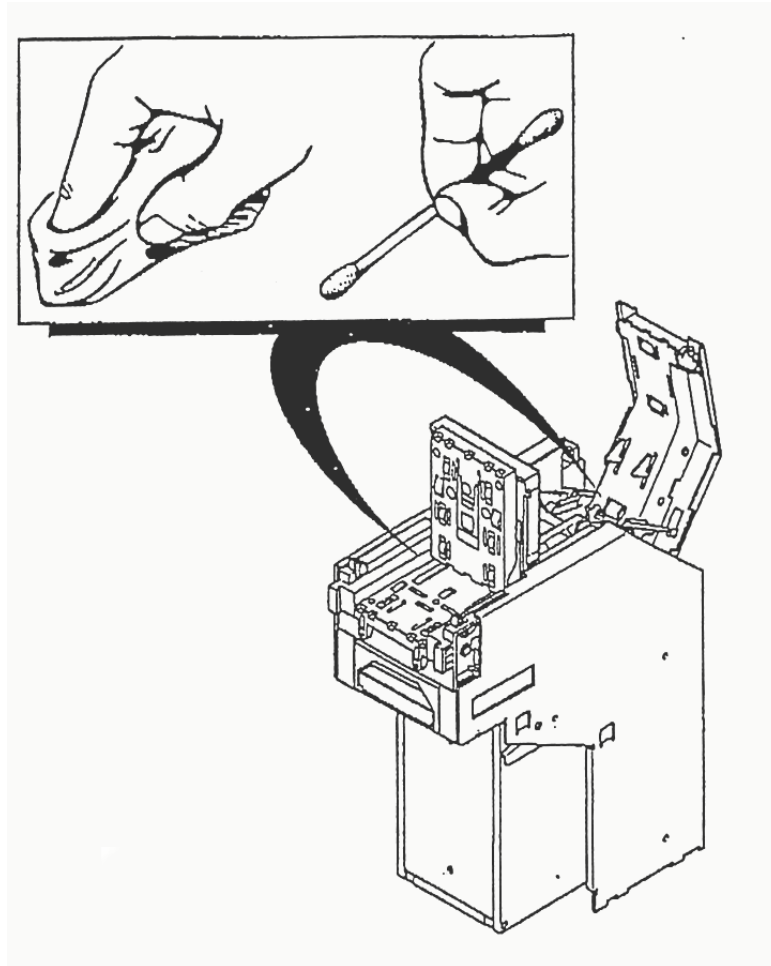
If the jammed bill cannot be removed just by opening the acceptor, pull the transfer unit open/close lever to open the top cover and remove the jammed bill.



When a bill is jammed near the inlet of the stacker box, pull the release lever of the stacker box to pull out the stacker box and remove the jammed bill.

Cleaning

If the reader sensor unit is dirty, it may cause jamming or deteriorate the accuracy of the bill acceptor.



Use a soft cloth or swab to clean the reader. If necessary, use an ordinary head cleaning fluid.

Do not use organic solvents such as thinner.